



OD - 4



OD - 7



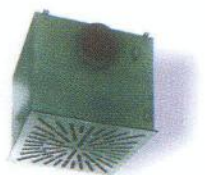
OD - 8



OD - 9



OD - 11



AFV - 8



AFV - 8G

SWIRL DIFFUSERS

Swirl diffusers are designed for air-conditioning of room with floor to ceiling heights from 2.6 to 4 m and temperature difference between supply and room air of +10K to -10K. Due to the rotary swirling motion of the air discharge, induction of room air occurs very quickly.

Swirl diffusers are suitable both for comfort as well as industrial air-conditioning.

DESCRIPTION:

Swirl diffusers consist of plenum box made of galvanised sheet steel and diffuser face. Diffuser face is made of sheet steel powder painted in RAL 9010 or any RAL colour upon customer's request.

VARIABLE SWIRL DIFFUSERS**APPLICATION:**

Variable diffusers are designed for rooms with changing thermal loads which require different conditioning (heating, cooling). They are suitable for rooms with floor to ceiling height of up to 15m, and recommended temperature difference between supply and room air + 10K and -10K. Required conditioning is achieved by the means of manual or power driven blades adjusting. Variable diffusers are suitable for both comfort and industrial conditioning.

DESCRIPTION:

Variable diffusers consist of plenum box made of galvanised sheet steel and diffuser. Diffusers are made of sheet steel or sheet aluminium (OD-II) and powder painted in RAL 9010 or any RAL colour upon customer's request.

Ceiling housings with Hepa filters (AFV-8) are used in both, supply and exhaust air ventilation and air-conditioning installations, which require maximal cleanness of the air. Built-in Hepa filters are of H10 to H14 class. They filter and remove particles with a diameter of 0,3 μm in different levels: from 85% (filters H10) up to 99,995 % (filters H14).

Ceiling housing with Hepa filter Type AFV-8G has a special washer frame for attachment the filter via gel gasket. AFV-8 G version guarantee absolute sit tightness for the filters up to class U16, which remove 99,99995 % of particles with diameter of 0,12 μm .

**AIRTRON L.L.C.**

P.O. BOX: 13947 DUBAI U.A.E.

TEL. : 00971 4 2672477 FAX: 00971 4 2672330

E-mail : airtron@emirates.net.ae Website : www.airtronuae.com

As Airtron are continuously improving the products, they reserve the right to make changes without notice.

أرترون ذ.م.م.

SUPPLY AIR NOZZLES

APPLICATIONS & DESCRIPTION



VS - 4



VS - 5

SUPPLY AIR NOZZLES

Supply air nozzles are designed to supply air into rooms in applications requiring large throw distances and low noise levels. They are suitable for supplying either cold or warm air. They are made of anodised sheet aluminum. On request, they can be powder painted in any of the RAL scale colours. Air supply nozzles are supplied either as single components or assembled into blocks, which considerably increase throw distance.

Supply air nozzles VS - 4

VS - 4 supply air nozzles are adjustable. The air jet direction can be adjusted either manually or by means of motor drive, within a $\pm 30^\circ$ range.

Supply air nozzles VS - 5

VS - 5 supply air nozzles are adjusted in the same way as VS - 4. Supply air nozzle is integrated into the housing and does not protrude into the room.

Legend of symbols

- Al Element is made of aluminium profiles, aluminium sheet or aluminium casting.
- St Element is made of steel sheet.
- RAL 9010 Element is powder painted in standard RAL 9010 colour. Other desired colour is to be specified in the order.
- ▲ Element for air conditioning of rooms with floor to ceiling height room up to 4m.
- ▲ Element for air conditioning of rooms with floor to ceiling height is from 6 to 15m.
- Element allows regulation by electric motor (Belimo electric motors).


AIRTRON L.L.C.

P.O. BOX: 13947 DUBAI U.A.E.

TEL. : 00971 4 2672477 FAX: 00971 4 2672330

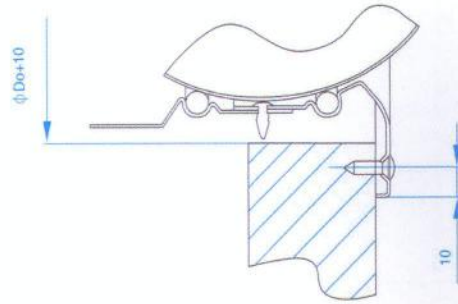
 E-mail : airtron@emirates.net.ae Website : www.airtronuae.com

أرترون ذ.م.م.

Mounting methods:

- Standalone nozzle (V)

A nozzle without extensions is mounted by means of three bolts from its face. The mounting opening dimension is $\phi Do+10$ mm.

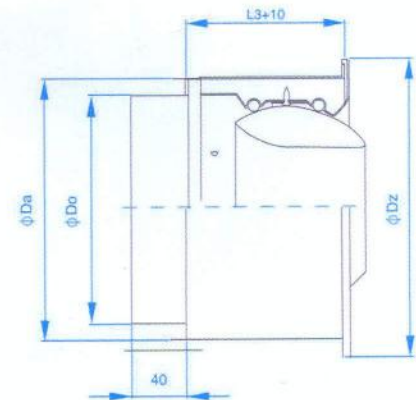
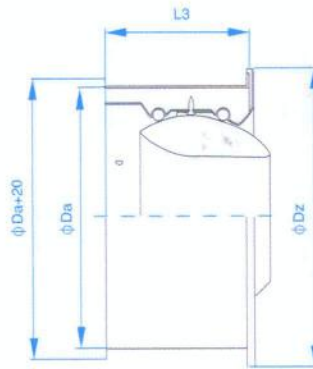
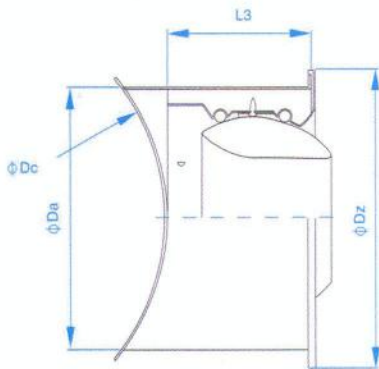
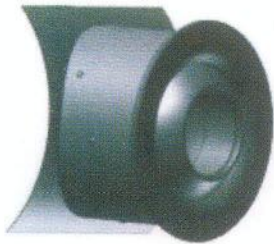


- Mounting with extensions (designations D,K,E)

mounting with a connector to a duct (E)

Mounting to a round duct (D)

Mounting to a rectangular duct (K)



Visible nozzle mounting by means of an extension. The nozzle is supplied with the extension already installed. The installation technician mounts the extension to a round or rectangular duct by means of rivets or self-tapping screws. On customers request, the extension can be powder painted in any of the RAL scale colours. The duct diameter ϕD_c shall be specified in the order.

The extension is mounted separately. A standard dimension duct is attached to the extension connector.



AIRTRON L.L.C.

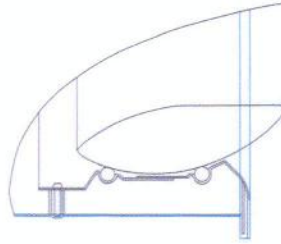
P.O. BOX: 13947 DUBAI U.A.E.

TEL. : 00971 4 2672477 FAX: 00971 4 2672330

E-mail : airtron@emirates.net.ae Website : www.airtronuae.com

As Airtron are continuously improving the products, they reserve the right to make changes without notice.

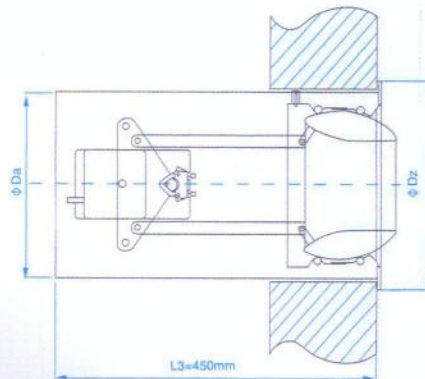
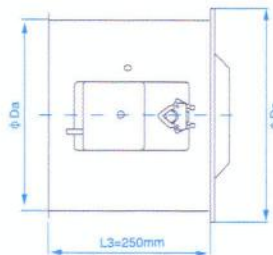
أرترون ذ.م.م.



• Mounting of a nozzle on the extension:

The nozzle is fixed into the extension on the side face, thus there are no bolts on its face side.

Size	φ Do	φ Dz	φ Da	φ Da+20	L3	φ Dc min
100	98	146	118	138	90	125
125	123	171	143	163	95	150
160	158	206	178	198	100	180
200	198	252	224	244	110	224
250	248	312	284	304	120	315
315	313	377	349	369	150	355
400	398	472	444	464	170	450



Adjustment methods:

• Manual adjustment in all directions, within $\alpha \pm 30^\circ$ range (R)

• Electric motor adjustment, for standalone mounting

- B4 motor NM 24A
- B5 motor NM 230A
- B6 motor NM 24A SR
- J4 motor DAS 1
- J5 motor DAS 2
- J6 motor DAS 1.1

Variants D, K and E available.
With all the variants, the L3 dimension equals 250 mm.

• Electric motor adjustment, for wall mounting

- NB4 motor NM 24A
- NB5 motor NM 230A
- NB6 motor NM 24A SR
- NJ4 motor DAS 1
- NJ5 motor DAS 2
- NJ6 motor DAS 1.1

Variants D, K and E available.
With all the variants, the L3 dimension equals 450 mm.

Variant is available in following sizes: 160, 200, 250, 315 and 400.



AIRTRON L.L.C.

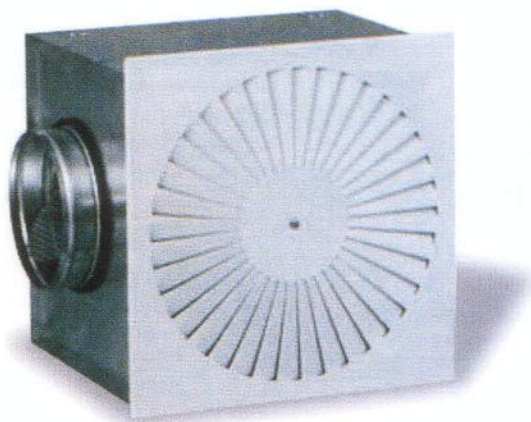
P.O. BOX: 13947 DUBAI U.A.E.

TEL. : 00971 4 2672477 FAX: 00971 4 2672330

E-mail : airtron@emirates.net.ae Website : www.airtronuae.com

أرترون ذ.م.م.

SWIRL DIFFUSERS

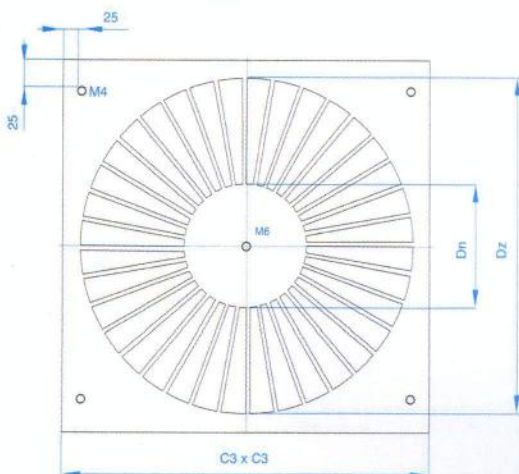


Swirl diffuser OD-4

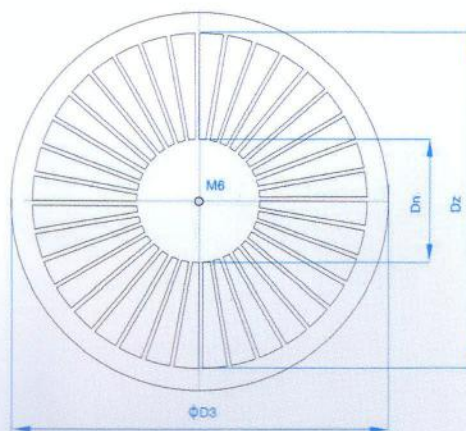


- Fixed slots
- Possible volume control damper in spigot

OD-4/K



OD-4/R



Size	Dn	Dz	C3	ΦD3	A _{ef} (m ²)
400	130	350	398	400	0.0138
500			498	500	
600			598	600	
625			623	625	
600D	200	540	598	600	0.0367
625D			623	625	
675D			673	675	

A_{ef} - effective discharge area (m²)

diffuser face without diffusion ring



diffuser face with diffusion ring



Diffuser face fastening:

Diffuser plate can be fastened with central screw OD-4/K or with four peripheral screws OD-4/K4. Diffuser plate OD-4/R is to be fastened with one central screw.

Diffuser face with diffuser ring:

Diffuser ring is an additional element, preventing the discharged air to flow over the diffuser face itself. The advantage of such construction is that dust particles do not gather on the diffuser face.



AIRTRON L.L.C.
 P.O. BOX: 13947 DUBAI U.A.E.
 TEL. : 00971 4 2672477 FAX: 00971 4 2672330
 E-mail : airtron@emirates.net.ae Website : www.airtronuae.com

أرترون ذ.م.م.

As Airtron are continuously improving the products, they reserve the right to make changes without notice.

SUPPLY AIR NOZZLE



Supply air nozzle VŠ-5

AI

Application:

RAL
9010

Air supply nozzles VŠ-5 are applied in the supply of cold or warm air in rooms where long throw distances and low noise operation are required.



By combining individual nozzles into a block, the throw distance is increased proportionally. There is a choice of several mounting methods.



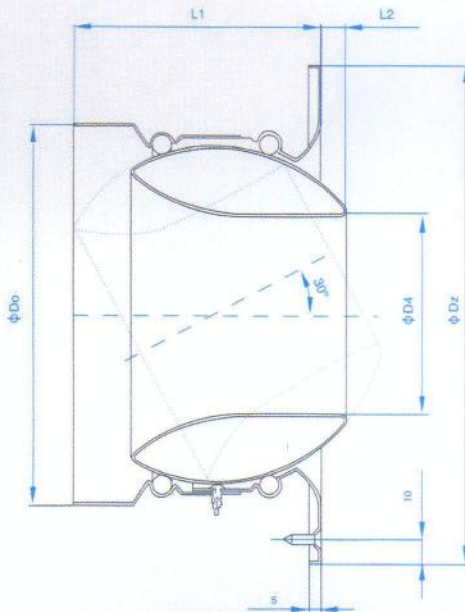
Description

Supply nozzles VŠ-5 are adjustable. The air jet can be adjusted:

- manually, in all directions, within a $\pm 30^\circ$ range
- by means of an electric motor, in horizontal and vertical direction, within a $\pm 30^\circ$ range.

The nozzle setting depends on the supplied air temperature.

The supply nozzle is integrated in a housing, thus even with the largest size, 400, it does not project into the room by more than 45 mm (see dimension L2 as a function of the setting angle 0°). Supply nozzles VŠ-5 are made of galvanised eloxal treated aluminium sheet. On customers request, nozzles can be powder painted in any of the RAL scale colours.



Sizes and dimensions:

Size	ϕDo	ϕDz	$\phi D4$	L1	L2 *	A_{ef} (m ²)	Weight (kg)
100	98	146	40	87	-5	0.0013	0.20
125	123	171	64	91	-1	0.0032	0.27
160	158	206	82	98	11	0.0053	0.3
200	198	252	108	108	19	0.0092	0.55
250	248	312	136	121	29	0.0145	0.77
315	313	377	174	145	35	0.0238	1.12
400	398	472	230	171	45	0.0415	1.64

L2*... corresponds to the setting angle 0°



AIRTRON L.L.C.

P.O. BOX: 13947 DUBAI U.A.E.

TEL. : 00971 4 2672477 FAX: 00971 4 2672330

E-mail : airtron@emirates.net.ae Website : www.airtronuae.com

As Airtron are continuously improving the products, they reserve the right to make changes without notice.

أرترون ذ.م.م.